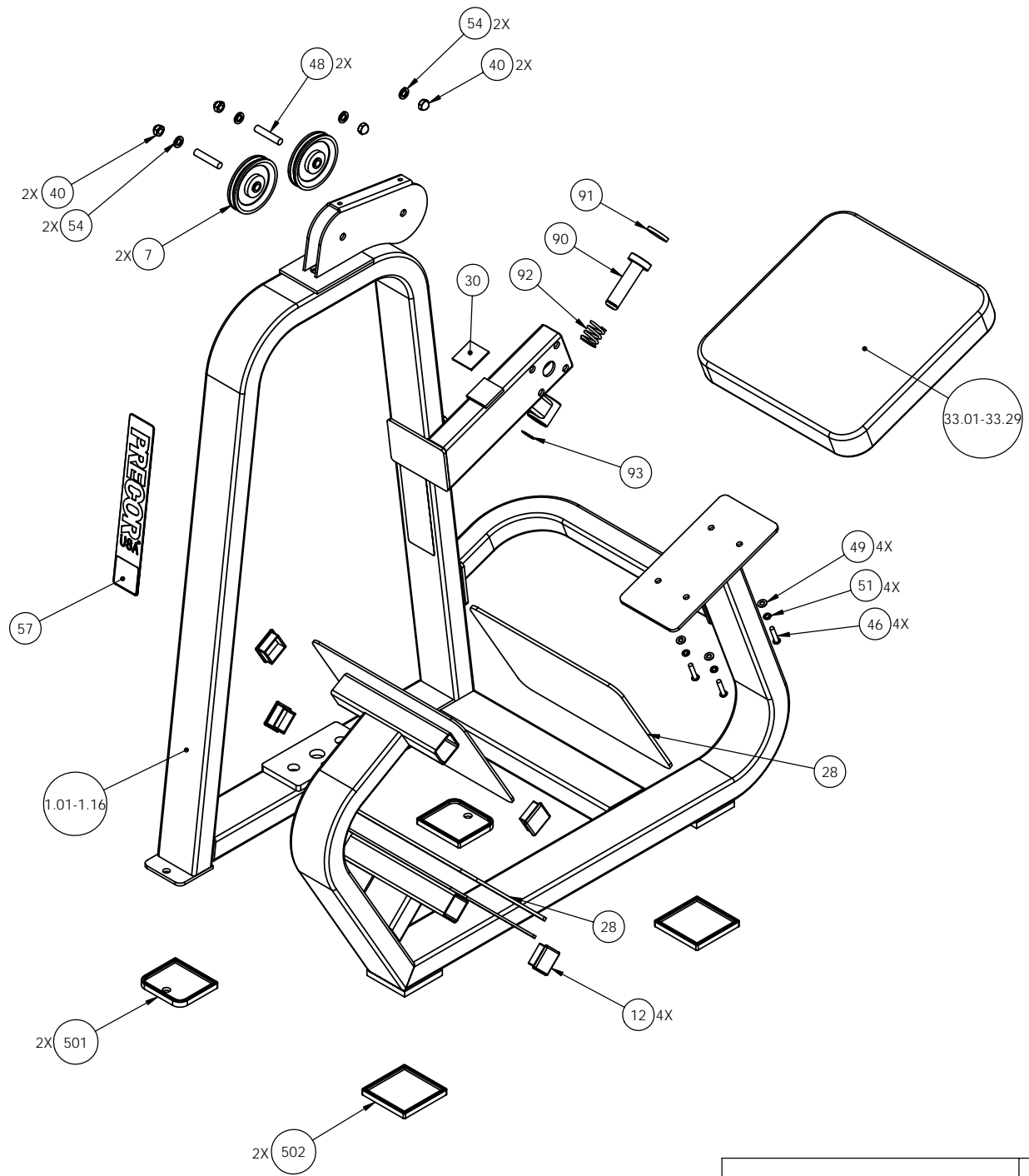
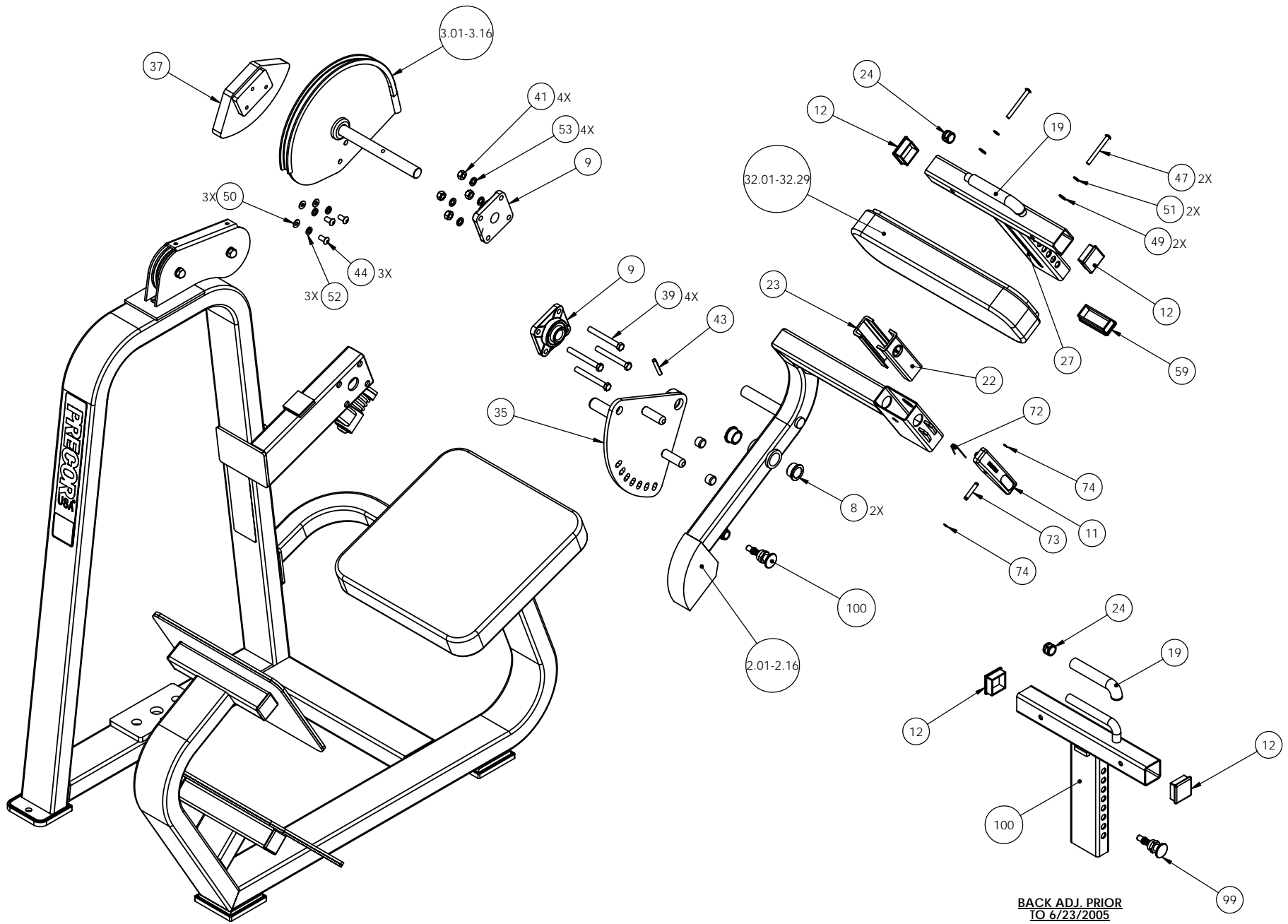


313	P/N : cw31476-102	SUBREV : C
DRAWN BY : CT	DATE : 11.09.05	SHEET 1 OF 4

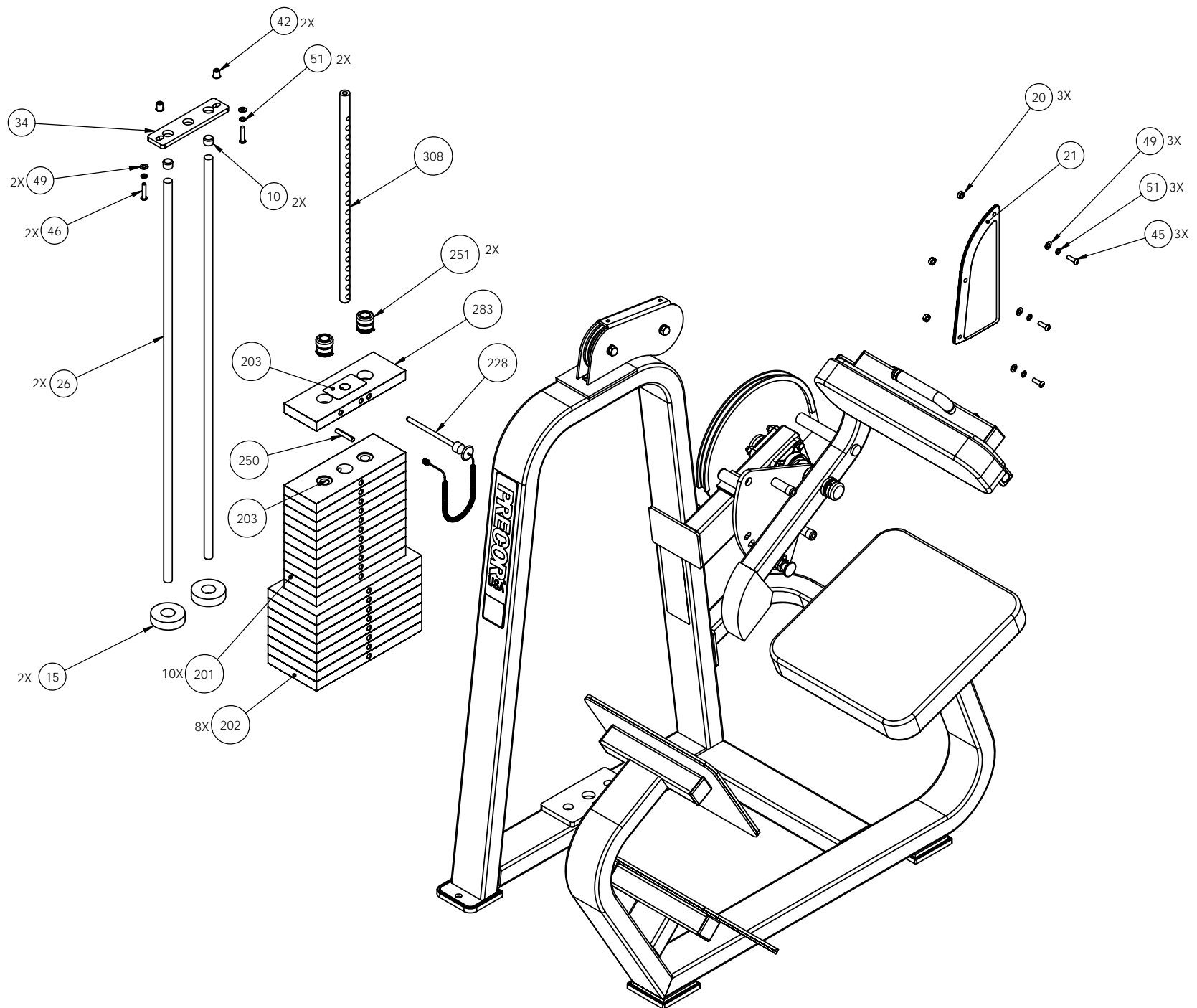


313	P/N : cw31476-102	SUBREV : C
DRAWN BY : CT	DATE : 11.09.05	SHEET 2 OF 4



BACK ADJ. PRIOR
TO 6/23/2005

313	P/N : cw31476-102	SUBREV : C
DRAWN BY : CT	DATE : 11.09.05	SHEET 3 OF 4



313	P/N : cw31476-102	SUBREV : C
DRAWN BY : CT	DATE : 11.09.05	SHEET 4 OF 4

313 Low Back

Part Number	Description	Bubble Number
CW313SA1-211	ASSY,FRAME,MAIN,313,SKY WHITE	1.01
CW313SA1-221	ASSY,FRAME,MAIN,313,BLACK	1.02
CW313SA1-311	ASSY,FRAME,MAIN,313,STONE HG	1.11
CW313SA1-321	ASSY,FRAME,MAIN,313,TITANIUM HG	1.12
CW313SA1-351	ASSY,FRAME,MAIN,313,LIGHT BRONZE	1.15
CW313SA2-212	ASSY, ARM, 313,SKY WHITE	2.01
CW313SA2-222	ASSY, ARM, 313,BLACK	2.02
CW313SA2-312	ASSY, ARM, 313,STONE HG	2.11
CW313SA2-322	ASSY, ARM, 313,TITANIUM HG	2.12
CW313SA2-352	ASSY, ARM, 313,LIGHT BRONZE	2.15
CW313SA2-362	ASSY, ARM, 313, SAPPHIRE BLUE	2.16
CW313SA3-211	ASSY, CAM 313,SKY WHITE	3.01
CW313SA3-221	ASSY, CAM 313, BLACK	3.02
CW313SA3-311	ASSY, CAM 313,STONE HG	3.11
CW313SA3-321	ASSY, CAM 313, TITANIUM HG	3.12
CW313SA3-351	ASSY, CAM 313, LIGHT BRONZE	3.15
CW313SA3-361	ASSY, CAM 313, SAPPHIRE BLUE	3.16
CWAC1009-101	PULLEY, 4 1/2 DIA. X 1/2 ID	7
CW10043-134	BUSHING, BRONZE, 1" ID X 1 1/4" OD	8
CW12405-101	PILLOW BLOCK, BEARING, FLANGE, 4 BO	9
CW12404-101	CAP, GUIDE ROD,DIA 3/4, BLK	10
CW32460-321	ASSY, RATCHETING LEVER, TITANIUM	11
CW11311-103	ENDCAP, REC TUBE, 2X2, BLK PLASTIC	12
CW12402-101	BUMPER, WEIGHT STACK, BLK RUBBER	15
CWGR2506-000	GRIP,RUBBER,3/4" DIA, 6"	19
CWAC1228-901	SPACER, ALU,.328 ID X .625 OD X .25	20
CWAC1236-102	GUIDE INSERT, PLASTIC WITH HOLE, BL	22
CWAC1236-101	GUIDE INSERT, PLASTIC WITHOUT HOLE,	23
CWAC220-901	HANDLE END CAP W/SET SCREWS, DIA 3/	24
CWAC222-901	ASSY, SHAFT END CAP W/SET SCREWS, D	25
CWPF1212-711	GUIDE ROD, 3/4 X 42 5/8 (#4), CHM	26
CW32217-711	ASSEMBLY, BACK ADJUSTMENT, 8 HOLE,	27
CW30013-122	CUT PIECE, CREPE, 1/4 X 12 X 16	28
CW30012-108	CUT PIECE, ABS BLACK, 1/8 X 2 X 2	30
CWPD1106B-101	PAD,6X20,2HOLES,W/BP,BLACK	32.01
CWPD1106B-102	PAD,6X20,2HOLES,W/BP,RYL BL	32.02
CWPD1106B-103	PAD,6X20,2HOLES,W/BP,DVE GRY	32.03
CWPD1106B-104	PAD,6X20,2HOLES,W/BP,CROCUS	32.04
CWPD1106B-105	PAD,6X20,2HOLES,W/BP,GROTTO	32.05
CWPD1106B-106	PAD,6X20,2HOLES,W/BP,GRAPHITE	32.06
CWPD1106B-107	PAD,6X20,2HOLES,W/BP,RED	32.07
CWPD1106B-108	PAD,6X20,2HOLES,W/BP,CHN GRN	32.08
CWPD1106B-109	PAD,6X20,2HOLES,W/BP,TURQSE	32.09
CWPD1106B-110	PAD,6X20,2HOLES,W/BP,RASP	32.1
CWPD1106B-111	PAD,6X20,2HOLES,W/BP,PLUM	32.11
CWPD1106B-112	PAD,6X20,2HOLES,W/BP,REGIMENT	32.12
CWPD1106B-113	PAD,6X20,2HOLES,W/BP,SPC BLUE	32.13
CWPD1106B-115	PAD,6X20,2HOLES,W/BP,BLK LTHR	32.15
CWPD1106B-116	PAD,6X20,2HOLES,W/BP,NVBL LTH	32.16

CWPD1106B-117	PAD,6X20,2HOLES,W/BP,PUTTY	32.17
CWPD1106B-118	PAD,6X20,2HOLES,W/BP,IMPRL BLUE	32.18
CWPD1106B-119	PAD,6X20,2HOLES,W/BP,YEW GREEN	32.19
CWPD1106B-120	PAD,6X20,2HOLES,W/BP,DUSTY JADE	32.2
CWPD1106B-121	PAD,6X20,2HOLES,W/BP,TERRA COTTA	32.21
CWPD1106B-122	PAD,6X20,2HOLES,W/BP,PAPRIKA	32.22
CWPD1106B-123	PAD,6X20,2HOLES,W/BP,ASH LTHR	32.23
CWPD1106B-124	PAD,6X20,2HOLES,W/BP,CERULEAN LTHR	32.24
CWPD1106B-125	PAD,6X20,2HOLES,W/BP,CHARCOAL LTHR	32.25
CWPD1106B-126	PAD,6X20,2HOLES,W/BP,HUNTER LTHR	32.26
CWPD1106B-127	PAD,6X20,2HOLES,W/BP,MOSS LTHR	32.27
CWPD1106B-128	PAD,6X20,2HOLES,W/BP,SPICE LTHR	32.28
CWPD1106B-129	PAD,6X20,2HOLES,W/BP,TOMATO LTHR	32.29
CWPD1115B-101	PAD,17X17,4HOLES,W/BP,BLACK	33.01
CWPD1115B-102	PAD,17X17,4HOLES,W/BP,RYL BL	33.02
CWPD1115B-103	PAD,17X17,4HOLES,W/BP,DV GRY	33.03
CWPD1115B-104	PAD,17X17,4HOLES,W/BP,CROCUS	33.04
CWPD1115B-105	PAD,17X17,4HOLES,W/BP,GROTTO	33.05
CWPD1115B-106	PAD,17X17,4HOLES,W/BP,GRPHTE	33.06
CWPD1115B-107	PAD,17X17,4HOLES,W/BP,RED	33.07
CWPD1115B-108	PAD,17X17,4HOLES,W/BP,CH GRN	33.08
CWPD1115B-109	PAD,17X17,4HOLES,W/BP,TURQSE	33.09
CWPD1115B-110	PAD,17X17,4HOLES,W/BP,RASP	33.1
CWPD1115B-111	PAD,17X17,4HOLES,W/BP,PLUM	33.11
CWPD1115B-112	PAD,17X17,4HOLES,W/BP,REGMNT	33.12
CWPD1115B-113	PAD,17X17,4HOLES,W/BP,SP BLUE	33.13
CWPD1115B-115	PAD,17X17,4HOLES,W/BP,BLK LTH	33.15
CWPD1115B-116	PAD,17X17,4HOLES,W/BP,NB LTH	33.16
CWPD1115B-117	PAD,17X17,4HOLES,W/BP,PUTTY	33.17
CWPD1115B-119	PAD,17X17,4HOLES,W/BP,YEW GREEN	33.19
CWPD1115B-120	PAD,17X17,4HOLES,W/BP,DUSTY JADE	33.2
CWPD1115B-121	PAD,17X17,4HOLES,W/BP,TERRA COTTA	33.21
CWPD1115B-122	PAD,17X17,4HOLES,W/BP,PAPRIKA	33.22
CWPD1115B-123	PAD,17X17,4HOLES,W/BP,ASH LTHR	33.23
CWPD1115B-124	PAD,17X17,4HOLES,W/BP,CERULEAN LTHR	33.24
CWPD1115B-125	PAD,17X17,4HOLES,W/BP,CHARCOAL LTHR	33.25
CWPD1115B-126	PAD,17X17,4HOLES,W/BP,HUNTER LTHR	33.26
CWPD1115B-127	PAD,17X17,4HOLES,W/BP,MOSS LTHR	33.27
CWPD1115B-128	PAD,17X17,4HOLES,W/BP,SPICE LTHR	33.28
CWPD1115B-129	PAD,17X17,4HOLES,W/BP,TOMATO LTHR	33.29
CWPF1016-731	BAR,,FLAT CR/HR, 3/8 X 2 X 8 1/4, 3	34
CWSA1103-311	ASSY,RANGE LIMITER,313, STONE HG	35
CWSA1103-721	ASSEMBLY,RANGE LIMITER,313,WRKL BLK	35
CWSA1500-721	WELDMENT, COUNTER WEIGHT, 1" THK, W	37
CWHCYN044-375	SCREW, HEX HEAD , BLK XYLA	39
CWKADLN050-081	NUT, ACORN, 1/2-13	40
CWKMYN044-038	NUT, HEX, UNC, 7/16-14, BLK XYLAN	41
CW12537-109	NUT,INSERT,THIN-NUT,LARGE FLANGE	42
CWLDNN031-200	PIN, ROLL, DIA 5/16 X 2.00	43
CWTAYN038-075	SCREW, BUTTON HEAD, BLK XYLAN, 3/8	44
CWTAYN031-100	SCREW, BUTTON HEAD, BLK XYLAN, 5/1	45

CWTAYN031-150	SCREW, BUTTON HEAD, BLK XYLAN,5/16	46
CWTAYN031-300	SCREW, BUTTON HEAD, BLK XYLAN,5/16	47
CWBFNN050-250	STUD, 1/2-13 X 2 1/2	48
CWWBKN031-007	WASHER, FLAT, TYPE A, SAE, 5/16 ID	49
CWWBKN038-007	WASHER, FLAT, TYPE A, SAE, 3/8 ID	50
CWWALYN031-008	WASHER, SPLIT, 5/16 ID, BL	51
CWWALYN038-009	WASHER, SPLIT, 3/8 ID, BLK XYLAN	52
CWWALYN044-011	WASHER, SPLIT, 7/16 ID, BLK XYLAN	53
CWWALYN050-013	WASHER, SPLIT, 1/2 ID, BLK XYLAN	54
CW31756-101	LABEL, PRECOR USA ICARIAN LINE	57
CW31784-731	STOP PLUG, BLK ZN	58
CW12633-101	ENDCAP, REC TUBE, LDP, 1 1/2 X 3 1	59
CW12634-101	SPRING, TORSION 90 DEG X 0.484 X 0.	72
CW31770-742	LATCH PIVOTING PIN, CLR ZN	73
CWAMNN028-003	RING, RETAINING, 2-TURN, SPIRAL, SS	74
CWSA1120-731	WELDMENT, SPRING STOP, BLK ZN	90
CWCP1046-101	CUT PIECE, CREPE, ROUND, .25 THICK,	91
CWAC1135-731	SPRING, COMPRESSION, 1 9/32 OD X 1	92
CWAANN100-003	RETAINING RING, EXTERNAL 1" DIA	93
CW31484-711	ASSY, BACK ADJUSTMENT, 8 HOLES, CHM	99
CW30165-751	ASSY, POP PIN, 0.450 DIA HANDLE, B	100
CW10510-721	ASSY, PLATE, WEIGHT, 10 LBS, WRKL B	201
CW10520-721	ASSY, PLATE, WEIGHT, 20 LBS, WRKL B	202
CWAC1133-101	BUSHING, WEIGHT PLATE, LDPE PLASTIC	203
CW30173-751	ASSY, 6.00 IN WEIGHT STACK PIN AND	228
CWLDNN038-200	PIN, ROLL, DIA 3/8 X 2	250
CW30184-901	ASSY,BARREL, TOP PLATE,ALUMINUM	251
CW10550-721	PLATE, WEIGHT, MED TOP (MTP-S), 10	283
CW10550-722	PLATE, WEIGHT, MED TOP (MTP-S), 10	283
CW30132-711	SELECTOR STEM, 20 PLATE,0 .875 DIA,	308
CW30011-101	LABEL,WARNING WEIGHT STACK	311
CW12401-106	LABEL, WEIGHT PLATE, 20 LBS/ 8 KG	319
CW12401-110	LABEL, WEIGHT PLATE, 30 LBS/ 13.6 K	323
CW12401-114	LABEL, WEIGHT PLATE, 40 LBS/ 18.2 K	327
CW12401-120	LABEL, WEIGHT PLATE, 60 LBS/ 27.3 K	333
CW12401-122	LABEL, WEIGHT PLATE, 70 LBS/ 31.8 K	335
CW12401-124	LABEL, WEIGHT PLATE, 80 LBS/ 36.4 K	337
CW12401-126	LABEL, WEIGHT PLATE, 90 LBS/ 40.9 K	339
CW12401-128	LABEL, WEIGHT PLATE, 100 LBS/ 45.5	341
CW12401-129	LABEL, WEIGHT PLATE, 110 LBS/ 50 KG	342
CW12401-130	LABEL, WEIGHT PLATE, 120 LBS/ 54.6	343
CW12401-132	LABEL, WEIGHT PLATE, 140 LBS/ 63.6	345
CW12401-134	LABEL, WEIGHT PLATE, 160 LBS/ 72.7	347
CW12401-136	LABEL, WEIGHT PLATE, 180 LBS/ 81.8	349
CW12401-138	LABEL, WEIGHT PLATE, 200 LBS/ 90.9	351
CW12401-140	LABEL, WEIGHT PLATE, 220 LBS/ 100 K	353
CW12401-142	LABEL, WEIGHT PLATE, 240 LBS/ 109.1	355
CW12401-144	LABEL, WEIGHT PLATE, 260 LBS/ 118.2	357
CW12401-145	LABEL, WEIGHT PLATE, 280 LBS/ 127.3	358
CW12537-109	NUT,INSERT,THIN-NUT,LARGE FLANGE	400
CW30126-101	LABEL,VINYL, PRECOR, 3.25 X 18.0	401

CWPF3143-211	SHROUD,SHEET,STEEL,3/32 THICK,4 BEN	402.01
CWPF3143-221	SHROUD,SHEET,STEEL,3/32 THICK,4 BEN	402.02
CWPF3143-311	SHROUD,SHEET,STEEL,3/32 THICK,4 BEN	402.11
CWPF3143-321	SHROUD,SHEET,STEEL,3/32 THICK,4 BEN	402.12
CWPF3143-351	SHROUD,SHEET,STEEL,3/32 THICK,4 BEN	402.15
CWPF3143-361	SHROUD,SHEET,STEEL,3/32 THICK,4 BEN	402.16
CWPF3143-711	SHROUD,SHEET,STEEL,3/32 THICK,4 BEN	402.17
CWPF3144-721	SHROUD BRKT,PLATE,STEEL,1/8 THICK,1	403
CWPF3145-721	SHROUD BRKT,PLATE,STEEL,1/8 THICK,2	404
CWTAYN031-100	SCREW, BUTTON HEAD, BLK XYLAN, 5/1	405
CWWALYN031-008	WASHER, SPLIT, 5/16 ID, BL	406
CWWBKN031-007	WASHER, FLAT, TYPE A, SAE, 5/16 ID	407
CWAC1177-101	FLOOR PROTECTOR, RUBBER, 4.563 X 4.	501
CWAC1181-101	FLOOR PROTECTOR, RUBBER, 4.563 X 4.	502

313 Low Back

Part Number	Description	Bubble Number
CW313SA1-211	ASSY,FRAME,MAIN,313,SKY WHITE	1.01
CW313SA1-221	ASSY,FRAME,MAIN,313,BLACK	1.02
CW313SA1-311	ASSY,FRAME,MAIN,313,STONE HG	1.11
CW313SA1-321	ASSY,FRAME,MAIN,313,TITANIUM HG	1.12
CW313SA1-351	ASSY,FRAME,MAIN,313,LIGHT BRONZE	1.15
CW313SA2-212	ASSY, ARM, 313,SKY WHITE	2.01
CW313SA2-222	ASSY, ARM, 313,BLACK	2.02
CW313SA2-312	ASSY, ARM, 313,STONE HG	2.11
CW313SA2-322	ASSY, ARM, 313,TITANIUM HG	2.12
CW313SA2-352	ASSY, ARM, 313,LIGHT BRONZE	2.15
CW313SA2-362	ASSY, ARM, 313, SAPPHIRE BLUE	2.16
CW313SA3-211	ASSY, CAM 313,SKY WHITE	3.01
CW313SA3-221	ASSY, CAM 313, BLACK	3.02
CW313SA3-311	ASSY, CAM 313,STONE HG	3.11
CW313SA3-321	ASSY, CAM 313, TITANIUM HG	3.12
CW313SA3-351	ASSY, CAM 313, LIGHT BRONZE	3.15
CW313SA3-361	ASSY, CAM 313, SAPPHIRE BLUE	3.16
CWAC1009-101	PULLEY, 4 1/2 DIA. X 1/2 ID	7
CW10043-134	BUSHING, BRONZE, 1" ID X 1 1/4" OD	8
CW12405-101	PILLOW BLOCK, BEARING, FLANGE, 4 BO	9
CW12404-101	CAP, GUIDE ROD,DIA 3/4, BLK	10
CW32460-321	ASSY, RATCHETING LEVER, TITANIUM	11
CW11311-103	ENDCAP, REC TUBE, 2X2, BLK PLASTIC	12
CW12402-101	BUMPER, WEIGHT STACK, BLK RUBBER	15
CWGR2506-000	GRIP,RUBBER,3/4" DIA, 6"	19
CWAC1228-901	SPACER, ALU,.328 ID X .625 OD X .25	20
CWAC1236-102	GUIDE INSERT, PLASTIC WITH HOLE, BL	22
CWAC1236-101	GUIDE INSERT, PLASTIC WITHOUT HOLE,	23
CWAC220-901	HANDLE END CAP W/SET SCREWS, DIA 3/	24
CWAC222-901	ASSY, SHAFT END CAP W/SET SCREWS, D	25
CWPF1212-711	GUIDE ROD, 3/4 X 42 5/8 (#4), CHM	26
CW32217-711	ASSEMBLY, BACK ADJUSTMENT, 8 HOLE,	27
CW30013-122	CUT PIECE, CREPE, 1/4 X 12 X 16	28
CW30012-108	CUT PIECE, ABS BLACK, 1/8 X 2 X 2	30
CWPD1106B-101	PAD,6X20,2HOLES,W/BP,BLACK	32.01
CWPD1106B-102	PAD,6X20,2HOLES,W/BP,RYL BL	32.02
CWPD1106B-103	PAD,6X20,2HOLES,W/BP,DVE GRY	32.03
CWPD1106B-104	PAD,6X20,2HOLES,W/BP,CROCUS	32.04
CWPD1106B-105	PAD,6X20,2HOLES,W/BP,GROTTO	32.05
CWPD1106B-106	PAD,6X20,2HOLES,W/BP,GRAPHITE	32.06
CWPD1106B-107	PAD,6X20,2HOLES,W/BP,RED	32.07
CWPD1106B-108	PAD,6X20,2HOLES,W/BP,CHN GRN	32.08
CWPD1106B-109	PAD,6X20,2HOLES,W/BP,TURQSE	32.09
CWPD1106B-110	PAD,6X20,2HOLES,W/BP,RASP	32.1
CWPD1106B-111	PAD,6X20,2HOLES,W/BP,PLUM	32.11
CWPD1106B-112	PAD,6X20,2HOLES,W/BP,REGIMENT	32.12
CWPD1106B-113	PAD,6X20,2HOLES,W/BP,SPC BLUE	32.13
CWPD1106B-115	PAD,6X20,2HOLES,W/BP,BLK LTHR	32.15
CWPD1106B-116	PAD,6X20,2HOLES,W/BP,NVBL LTH	32.16

CWPD1106B-117	PAD,6X20,2HOLES,W/BP,PUTTY	32.17
CWPD1106B-118	PAD,6X20,2HOLES,W/BP,IMPRL BLUE	32.18
CWPD1106B-119	PAD,6X20,2HOLES,W/BP,YEW GREEN	32.19
CWPD1106B-120	PAD,6X20,2HOLES,W/BP,DUSTY JADE	32.2
CWPD1106B-121	PAD,6X20,2HOLES,W/BP,TERRA COTTA	32.21
CWPD1106B-122	PAD,6X20,2HOLES,W/BP,PAPRIKA	32.22
CWPD1106B-123	PAD,6X20,2HOLES,W/BP,ASH LTHR	32.23
CWPD1106B-124	PAD,6X20,2HOLES,W/BP,CERULEAN LTHR	32.24
CWPD1106B-125	PAD,6X20,2HOLES,W/BP,CHARCOAL LTHR	32.25
CWPD1106B-126	PAD,6X20,2HOLES,W/BP,HUNTER LTHR	32.26
CWPD1106B-127	PAD,6X20,2HOLES,W/BP,MOSS LTHR	32.27
CWPD1106B-128	PAD,6X20,2HOLES,W/BP,SPICE LTHR	32.28
CWPD1106B-129	PAD,6X20,2HOLES,W/BP,TOMATO LTHR	32.29
CWPD1115B-101	PAD,17X17,4HOLES,W/BP,BLACK	33.01
CWPD1115B-102	PAD,17X17,4HOLES,W/BP,RYL BL	33.02
CWPD1115B-103	PAD,17X17,4HOLES,W/BP,DV GRY	33.03
CWPD1115B-104	PAD,17X17,4HOLES,W/BP,CROCUS	33.04
CWPD1115B-105	PAD,17X17,4HOLES,W/BP,GROTTO	33.05
CWPD1115B-106	PAD,17X17,4HOLES,W/BP,GRPHTE	33.06
CWPD1115B-107	PAD,17X17,4HOLES,W/BP,RED	33.07
CWPD1115B-108	PAD,17X17,4HOLES,W/BP,CH GRN	33.08
CWPD1115B-109	PAD,17X17,4HOLES,W/BP,TURQSE	33.09
CWPD1115B-110	PAD,17X17,4HOLES,W/BP,RASP	33.1
CWPD1115B-111	PAD,17X17,4HOLES,W/BP,PLUM	33.11
CWPD1115B-112	PAD,17X17,4HOLES,W/BP,REGMNT	33.12
CWPD1115B-113	PAD,17X17,4HOLES,W/BP,SP BLUE	33.13
CWPD1115B-115	PAD,17X17,4HOLES,W/BP,BLK LTH	33.15
CWPD1115B-116	PAD,17X17,4HOLES,W/BP,NB LTH	33.16
CWPD1115B-117	PAD,17X17,4HOLES,W/BP,PUTTY	33.17
CWPD1115B-119	PAD,17X17,4HOLES,W/BP,YEW GREEN	33.19
CWPD1115B-120	PAD,17X17,4HOLES,W/BP,DUSTY JADE	33.2
CWPD1115B-121	PAD,17X17,4HOLES,W/BP,TERRA COTTA	33.21
CWPD1115B-122	PAD,17X17,4HOLES,W/BP,PAPRIKA	33.22
CWPD1115B-123	PAD,17X17,4HOLES,W/BP,ASH LTHR	33.23
CWPD1115B-124	PAD,17X17,4HOLES,W/BP,CERULEAN LTHR	33.24
CWPD1115B-125	PAD,17X17,4HOLES,W/BP,CHARCOAL LTHR	33.25
CWPD1115B-126	PAD,17X17,4HOLES,W/BP,HUNTER LTHR	33.26
CWPD1115B-127	PAD,17X17,4HOLES,W/BP,MOSS LTHR	33.27
CWPD1115B-128	PAD,17X17,4HOLES,W/BP,SPICE LTHR	33.28
CWPD1115B-129	PAD,17X17,4HOLES,W/BP,TOMATO LTHR	33.29
CWPF1016-731	BAR,,FLAT CR/HR, 3/8 X 2 X 8 1/4, 3	34
CWSA1103-311	ASSY,RANGE LIMITER,313, STONE HG	35
CWSA1103-721	ASSEMBLY,RANGE LIMITER,313,WRKL BLK	35
CWSA1500-721	WELDMENT, COUNTER WEIGHT, 1" THK, W	37
CWHCYN044-375	SCREW, HEX HEAD , BLK XYLA	39
CWKADLN050-081	NUT, ACORN, 1/2-13	40
CWKMYN044-038	NUT, HEX, UNC, 7/16-14, BLK XYLAN	41
CW12537-109	NUT,INSERT,THIN-NUT,LARGE FLANGE	42
CWLDNN031-200	PIN, ROLL, DIA 5/16 X 2.00	43
CWTAYN038-075	SCREW, BUTTON HEAD, BLK XYLAN, 3/8	44
CWTAYN031-100	SCREW, BUTTON HEAD, BLK XYLAN, 5/1	45

CWTAYN031-150	SCREW, BUTTON HEAD, BLK XYLAN,5/16	46
CWTAYN031-300	SCREW, BUTTON HEAD, BLK XYLAN,5/16	47
CWBFNN050-250	STUD, 1/2-13 X 2 1/2	48
CWWBKN031-007	WASHER, FLAT, TYPE A, SAE, 5/16 ID	49
CWWBKN038-007	WASHER, FLAT, TYPE A, SAE, 3/8 ID	50
CWWALYN031-008	WASHER, SPLIT, 5/16 ID, BL	51
CWWALYN038-009	WASHER, SPLIT, 3/8 ID, BLK XYLAN	52
CWWALYN044-011	WASHER, SPLIT, 7/16 ID, BLK XYLAN	53
CWWALYN050-013	WASHER, SPLIT, 1/2 ID, BLK XYLAN	54
CW31756-101	LABEL, PRECOR USA ICARIAN LINE	57
CW31784-731	STOP PLUG, BLK ZN	58
CW12633-101	ENDCAP, REC TUBE, LDP, 1 1/2 X 3 1	59
CW12634-101	SPRING, TORSION 90 DEG X 0.484 X 0.	72
CW31770-742	LATCH PIVOTING PIN, CLR ZN	73
CWAMNN028-003	RING, RETAINING, 2-TURN, SPIRAL, SS	74
CWSA1120-731	WELDMENT, SPRING STOP, BLK ZN	90
CWCP1046-101	CUT PIECE, CREPE, ROUND, .25 THICK,	91
CWAC1135-731	SPRING, COMPRESSION, 1 9/32 OD X 1	92
CWAANN100-003	RETAINING RING, EXTERNAL 1" DIA	93
CW31484-711	ASSY, BACK ADJUSTMENT, 8 HOLES, CHM	99
CW30165-751	ASSY, POP PIN, 0.450 DIA HANDLE, B	100
CW10510-721	ASSY, PLATE, WEIGHT, 10 LBS, WRKL B	201
CW10520-721	ASSY, PLATE, WEIGHT, 20 LBS, WRKL B	202
CWAC1133-101	BUSHING, WEIGHT PLATE, LDPE PLASTIC	203
CW30173-751	ASSY, 6.00 IN WEIGHT STACK PIN AND	228
CWLDNN038-200	PIN, ROLL, DIA 3/8 X 2	250
CW30184-901	ASSY,BARREL, TOP PLATE,ALUMINUM	251
CW10550-721	PLATE, WEIGHT, MED TOP (MTP-S), 10	283
CW10550-722	PLATE, WEIGHT, MED TOP (MTP-S), 10	283
CW30132-711	SELECTOR STEM, 20 PLATE,0 .875 DIA,	308
CW30011-101	LABEL,WARNING WEIGHT STACK	311
CW12401-106	LABEL, WEIGHT PLATE, 20 LBS/ 8 KG	319
CW12401-110	LABEL, WEIGHT PLATE, 30 LBS/ 13.6 K	323
CW12401-114	LABEL, WEIGHT PLATE, 40 LBS/ 18.2 K	327
CW12401-120	LABEL, WEIGHT PLATE, 60 LBS/ 27.3 K	333
CW12401-122	LABEL, WEIGHT PLATE, 70 LBS/ 31.8 K	335
CW12401-124	LABEL, WEIGHT PLATE, 80 LBS/ 36.4 K	337
CW12401-126	LABEL, WEIGHT PLATE, 90 LBS/ 40.9 K	339
CW12401-128	LABEL, WEIGHT PLATE, 100 LBS/ 45.5	341
CW12401-129	LABEL, WEIGHT PLATE, 110 LBS/ 50 KG	342
CW12401-130	LABEL, WEIGHT PLATE, 120 LBS/ 54.6	343
CW12401-132	LABEL, WEIGHT PLATE, 140 LBS/ 63.6	345
CW12401-134	LABEL, WEIGHT PLATE, 160 LBS/ 72.7	347
CW12401-136	LABEL, WEIGHT PLATE, 180 LBS/ 81.8	349
CW12401-138	LABEL, WEIGHT PLATE, 200 LBS/ 90.9	351
CW12401-140	LABEL, WEIGHT PLATE, 220 LBS/ 100 K	353
CW12401-142	LABEL, WEIGHT PLATE, 240 LBS/ 109.1	355
CW12401-144	LABEL, WEIGHT PLATE, 260 LBS/ 118.2	357
CW12401-145	LABEL, WEIGHT PLATE, 280 LBS/ 127.3	358
CW12537-109	NUT,INSERT,THIN-NUT,LARGE FLANGE	400
CW30126-101	LABEL,VINYL, PRECOR, 3.25 X 18.0	401

CWPF3143-211	SHROUD,SHEET,STEEL,3/32 THICK,4 BEN	402.01
CWPF3143-221	SHROUD,SHEET,STEEL,3/32 THICK,4 BEN	402.02
CWPF3143-311	SHROUD,SHEET,STEEL,3/32 THICK,4 BEN	402.11
CWPF3143-321	SHROUD,SHEET,STEEL,3/32 THICK,4 BEN	402.12
CWPF3143-351	SHROUD,SHEET,STEEL,3/32 THICK,4 BEN	402.15
CWPF3143-361	SHROUD,SHEET,STEEL,3/32 THICK,4 BEN	402.16
CWPF3143-711	SHROUD,SHEET,STEEL,3/32 THICK,4 BEN	402.17
CWPF3144-721	SHROUD BRKT,PLATE,STEEL,1/8 THICK,1	403
CWPF3145-721	SHROUD BRKT,PLATE,STEEL,1/8 THICK,2	404
CWTAYN031-100	SCREW, BUTTON HEAD, BLK XYLAN, 5/1	405
CWWALYN031-008	WASHER, SPLIT, 5/16 ID, BL	406
CWWBKN031-007	WASHER, FLAT, TYPE A, SAE, 5/16 ID	407
CWAC1177-101	FLOOR PROTECTOR, RUBBER, 4.563 X 4.	501
CWAC1181-101	FLOOR PROTECTOR, RUBBER, 4.563 X 4.	502